

# Skipper 17

## The Family Weekender

Following the tremendous success of the Skipper 14 and 12 we introduce our new sailing weekender the Skipper 17. Produced off the same drawing board as it's two smaller sisters, the boat is packed with features which set new standards of comfort and safety both under way or at anchor.

The hull is constructed in tough, high gloss maintenance free fibreglass with a beam of 7' and a draught of one foot with the 150lb galvanised centre plate fully housed. This exceptionally shallow draught enables estuaries and inland waterways to be explored without problems.

The aim has been to supply a comfortable to sail, day sailer with a large family sized cockpit and a handsome cuddy with two berths and a self contained w.c.

The cockpit is self draining through a central port. This draining port can also be used to support the cranked leg, on which the cockpit door can be placed to serve as a table.

The 7' beam gives the boat extra stability while the galvanised

centre plate gives the boat the self-righting characteristics found on keel boats.

The twin skegs positioned on either side of the centre plate will support the weight of the boat and so allow you to leave the boat at tidal moorings.

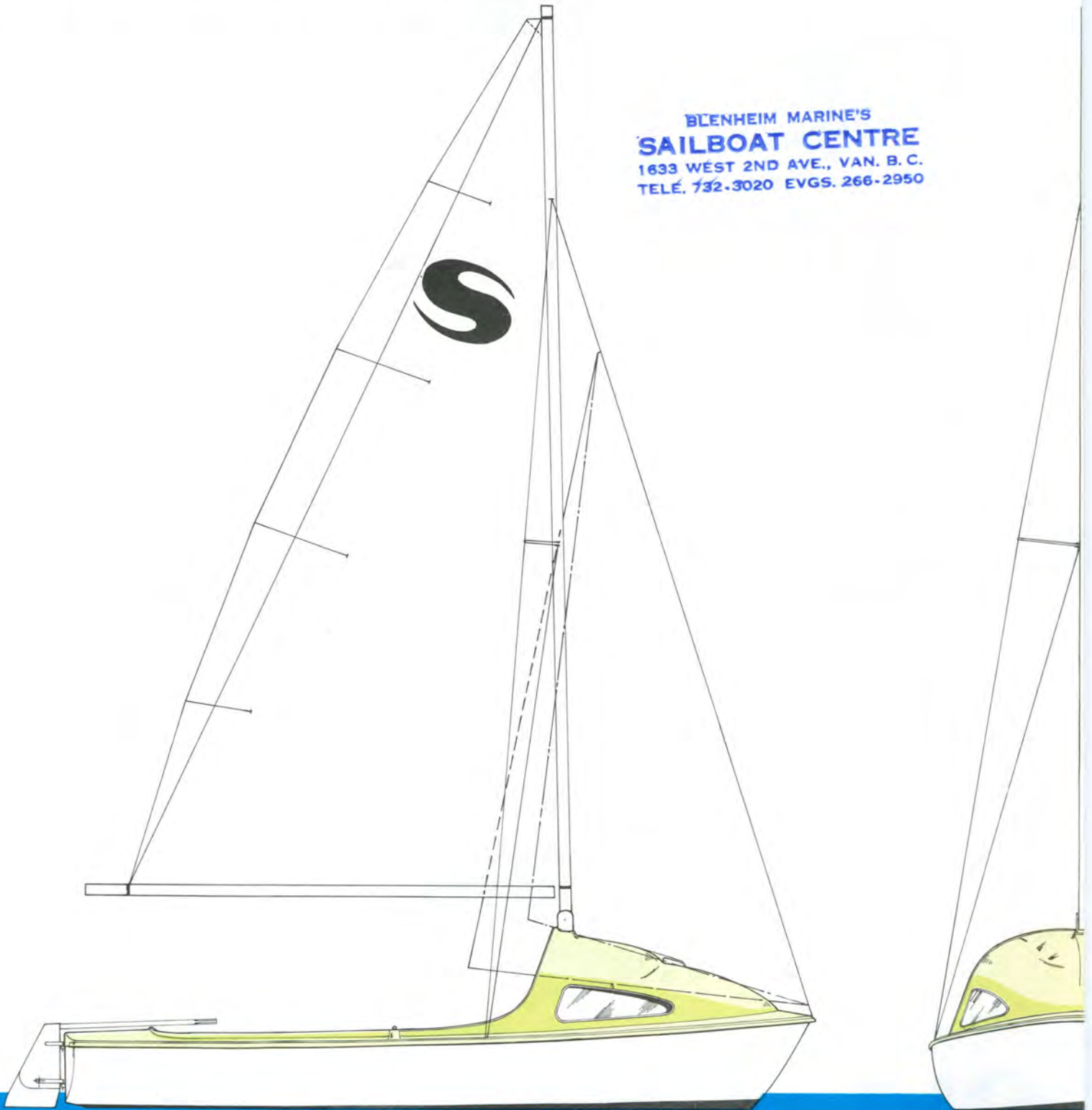
The powerful winch drum and clip allow any crew member to raise and lock the centre plate.

The ample benches, contain room for ice box, sink unit and , cooker and aft is an enormous watertight stern locker to hold the long shaft outboard.

The cockpit cover which fits along the upturned boom gives a spacious covered area in which a double hammock berth can be slung giving 2 + 2 accommodation in all.

The all up hull weight is such that the boat is easy to launch, recover and trail behind the average family car, without losing really good performance under power or canvas.

BLLENHEIM MARINE'S  
**SAILBOAT CENTRE**  
1633 WEST 2ND AVE., VAN. B. C.  
TELÉ. 732-3020 EVGS. 266-2950

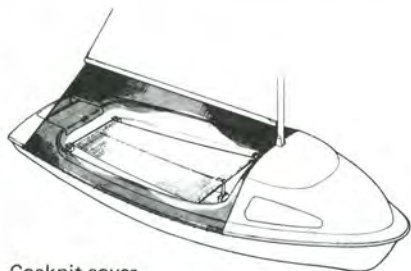
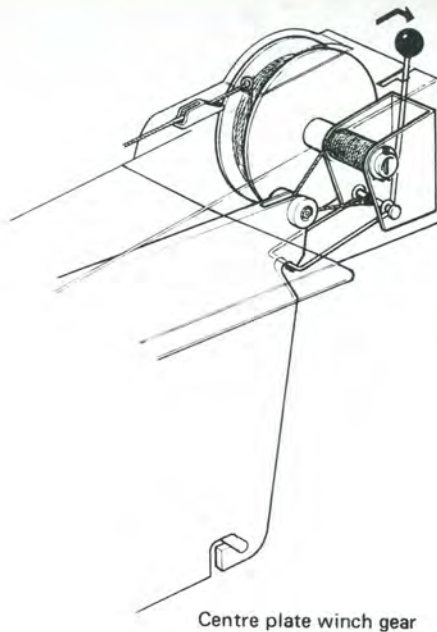


**Specification**

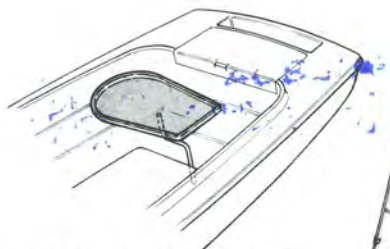
Length	17'
Beam	7'
Draught centre plate raised	1'
Draught centre plate lowered	3' 11"
Hull weight	560lbs
Centre plate weight	150lbs

**Sail Areas**

Main	97.14 sq ft
Genoa	54 sq ft
Jib	40.01 sq ft



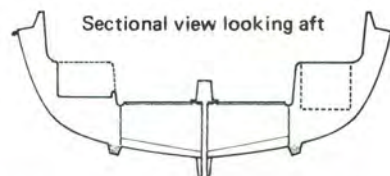
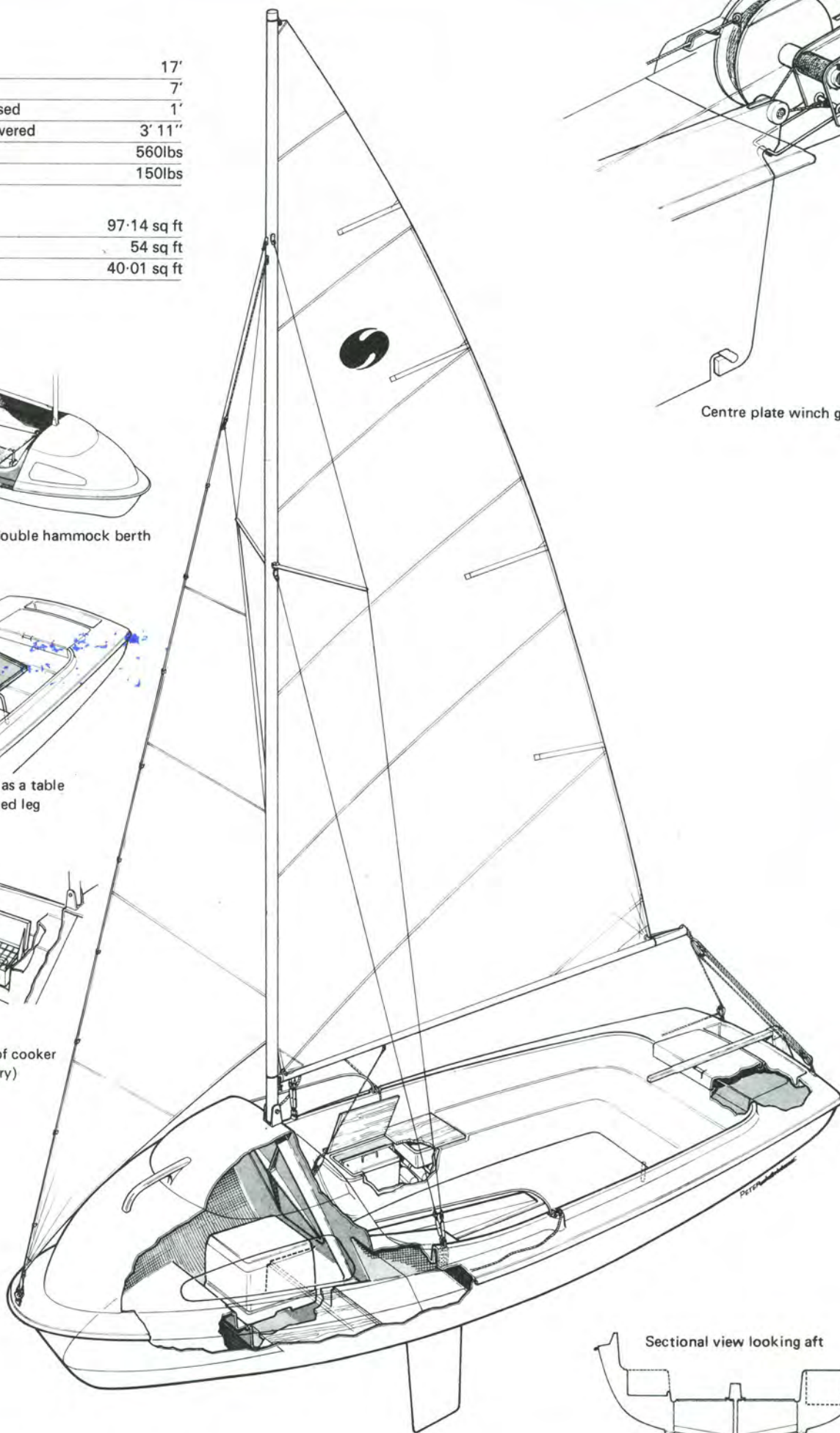
Cockpit cover in position showing double hammock berth



Cockpit door serving as a table supported by a cranked leg



Detail of bench showing positioning of cooker (optional accessory)



# Skipper

Find out more from The Skipper Boat Centre,  
The Green, Twickenham, Middlesex.  
Telephone 01-898 2771 (6 lines)